



CS 8100 3D - PRE-INSTALLATION CHECK LIST

YOUR Order reference:	Intervention Date:
OUR Order reference:	
Dealer information	Delivery Address
Company name:	Dental practice:
Address:	Address:
City:	City:
Postal Code:	Postal code:
Country:	Country:
Contact's name:	Contact's name:
Telephone:	Telephone:
Requested delivery date :	Time :

Information for the delivery			
1. Delivery at dental/medical practice			
Restriction for vehicles 	Yes <input type="checkbox"/> No <input type="checkbox"/> Don't know <input type="checkbox"/>	please specify	
Pedestrian area	Main road <input type="checkbox"/>	Shopping center <input type="checkbox"/>	Unrestricted <input type="checkbox"/>



Check the following requirements for the dimensions of the CS 8100 3D unit **PACKED** and **UNPACKED**
WARNING : If you need to add a base plate you must add 12.5 mm to the Height of the unit

Packaging size	Box: 755mm (D) x 1600mm (L) x 860mm (H)	Weight: 100 kg
Separate packaging size	Head box : 930mm x 380mm x 770mm Accessories box: 800mm x 400mm x 350m Column box: 450mm x 350mm x 1650mm	Weight: 45 kg Weight <10kg Weight: 33 kg
CS 8100 3D unpacked	330 (L) x 894 (D) x 1596 (H) mm	Weight: 92kg



2. Access to the dental practice, please compare with the CS 8100 3D unit dimensions				
2.1.	Through main entrance	Secondary entrance		
2.2.	Entrance' dimensions	Width : mm	Height : mm	OK <input type="checkbox"/>
2.3.	Corridor's dimensions	Width : mm	Length: mm	OK <input type="checkbox"/>
2.4.	Ground floor:	Floor:	Floor #	<input type="checkbox"/>

If delivery in on ground floor, please go to point 4

3. Delivery is NOT on ground floor				
3.1.	Lift available	Yes <input type="checkbox"/>	No <input type="checkbox"/>	if No, go to point 4.5
3.2.	Lift entrance dimensions	Width mm	Height mm	
3.3.	Lift's max load	Weight <input type="checkbox"/> kg	<input type="checkbox"/>	

If the lift meets the requirements go to point 5.

3.4.	Stairs' Dimensions	Width mm		
4. Access to the room where the unit will be installed				
4.1.	Door's dimensions	Width mm	Height: mm	
4.2.	Corridor's dimensions	Width mm	Height: mm	

Delivery part: Please type here any specific or useful information

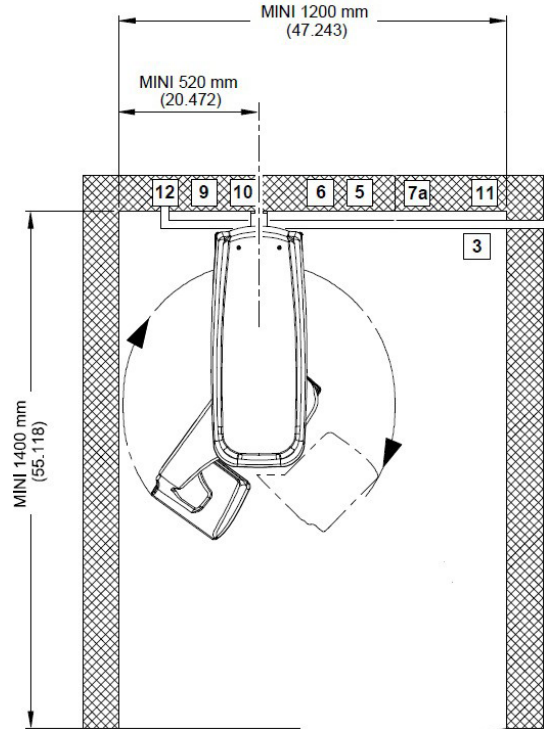
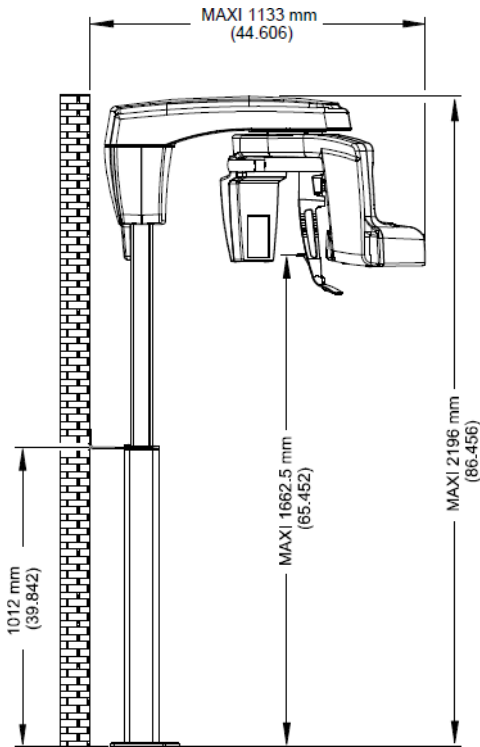


WARNING :The site must comply with the local regulation

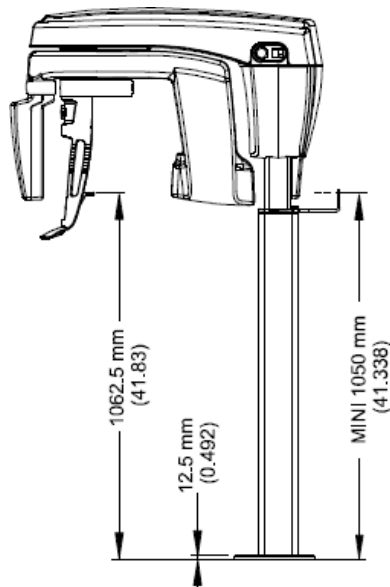
5. Room dimensions requirement

Note 1: The door of the X-Rays acquisition room must not impede the unit arm rotation.

Note 2: Allow sufficient workspace around the patient chair - see drawings



WALL MOUNTING



5.1. Wall and floor	
The floor is solid and flat	Yes <input type="checkbox"/> No <input type="checkbox"/>
5.2. Radio protection	
2 mm lead equivalent recommended, or more if require by local regulations.	Yes <input type="checkbox"/> No <input type="checkbox"/>
5.3. Control room	
Will the customer's PC work in a network ?	Yes <input type="checkbox"/> No <input type="checkbox"/>
Is there a place/table for double monitor? (120cm at least)	Yes <input type="checkbox"/> No <input type="checkbox"/>
Is there high speed internet connection?	Yes <input type="checkbox"/> No <input type="checkbox"/>
Can we acces the Network from outside?	Yes <input type="checkbox"/> No <input type="checkbox"/>
Is there a DPMS? Which one?	
Is there already a KDIS database in place?	Yes <input type="checkbox"/> No <input type="checkbox"/>
If yes, Is there a link between the DPMS in place?	
Is there a phone set close to control room?	Yes <input type="checkbox"/> No <input type="checkbox"/>

Note 3: From the control room, the practician has to be able to see the patient permanently. We recommend leaded glass for all windows.

Are the windows leaded? Yes No

Room requirement summarize: Please type here any specific and usefull information

6. ⚡ Electrical requirements

6.1. CS 8100 3D unit requires the following dedicated electrical circuit. Please specify :

230V-240V - circuit breaker 16A / 30mA differential RCCB	Yes <input type="checkbox"/> No <input type="checkbox"/>
110V-130V - circuit breaker 20A / 30mA differential RCCB	Yes <input type="checkbox"/> No <input type="checkbox"/>

6.2.





✓ The power supply line must be equipped with a connection box that ensures a constant connection.	Yes <input type="checkbox"/> No <input type="checkbox"/>
✓ It must not be possible to connect the unit to the power supply without using a tool.	Yes <input type="checkbox"/> No <input type="checkbox"/>
✓ The unit must be protected against any accidental disconnection.	Yes <input type="checkbox"/> No <input type="checkbox"/>

6.3. CS 8100 3D electrical circuitry – *please see diagram next page*

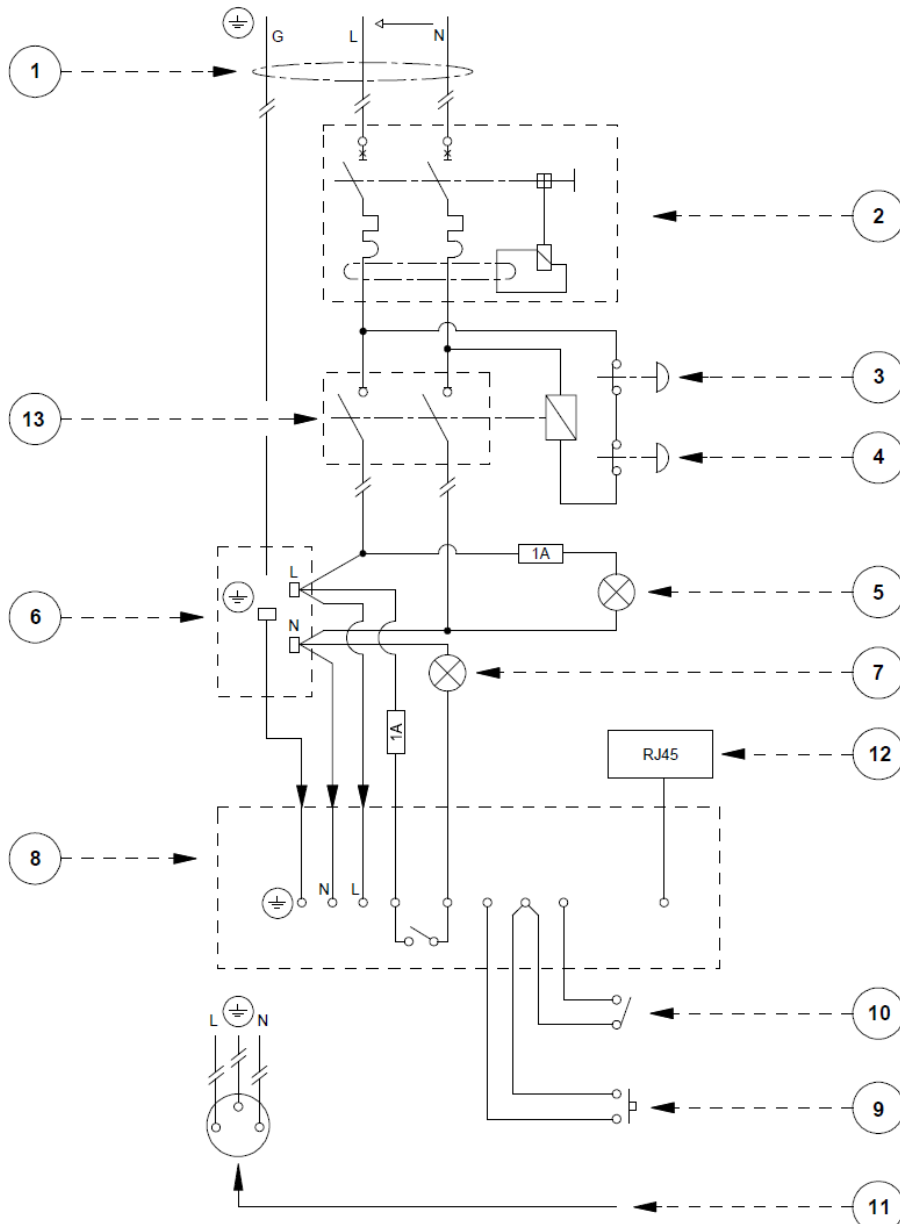
		N#	Description	Statut
	3	Red color actuator emergency stop push-button	Yes <input type="checkbox"/> No <input type="checkbox"/>	
	4	Red color actuator emergency stop push-button	Yes <input type="checkbox"/> No <input type="checkbox"/>	
	5	Red warning lamp, power ON indicator	Yes <input type="checkbox"/> No <input type="checkbox"/>	
	6	Unit mains connecting terminal	Yes <input type="checkbox"/> No <input type="checkbox"/>	
	7	Warning lamp (X-ray emission or ready state indicator)	Yes <input type="checkbox"/> No <input type="checkbox"/>	
	7 a	X-ray warning lamp connecting terminal	Yes <input type="checkbox"/> No <input type="checkbox"/>	
	9	X-ray remote control	Yes <input type="checkbox"/> No <input type="checkbox"/>	
	10	Door safety switch	Yes <input type="checkbox"/> No <input type="checkbox"/>	
	11	Mains outlet (for electrical tools)	Yes <input type="checkbox"/> No <input type="checkbox"/>	
	12	Ethernet min Class 5E outlet (RJ45/1)	Yes <input type="checkbox"/> No <input type="checkbox"/>	
	13	Local Area Network (LAN), (RJ45/2)	Yes <input type="checkbox"/> No <input type="checkbox"/>	

Please specify if any electrical requirement does not comply:

Electrical part summarize: Please type here any specific or usefull information

7. Environmental requirements    	
The ambient temperature should be 5°C to 35°C with a maximum of 30-85% relative humidity, non condensing	Yes <input type="checkbox"/> No <input type="checkbox"/> Don't know <input type="checkbox"/>
The atmospheric pressure must be 700-1060 hpa	Yes <input type="checkbox"/> No <input type="checkbox"/> Don't know <input type="checkbox"/>

CS 8100 3D – Electrical diagram of the X-Ray Room and the System Connections



- 1 General mains
- 2 Differential circuit breaker
- 3 Red color actuator emergency stop push-button
- 4 Red color actuator emergency stop push-button
- 5 Red warning lamp, power ON indicator
- 6 System mains connecting terminal
- 7 Warning lamp (X-ray emission or ready state indicator)
- 7a X-ray warning lamp connecting terminal
- 8 Column connecting terminals
- 9 X-ray remote control
- 10 Door safety switch
- 11 Mains outlet (for electric tools)
- 12 Ethernet outlet (RJ45/1)
- 13 Contactor

8. Additional Information	
Do not forget to bring/supply the exposure switch cable	Yes <input type="checkbox"/> No <input type="checkbox"/>
Minimum PC Requirements: all the items listed on the following document must be respected: http://infotec.carestreamdental.com/files/cs-8100-3d-computer-system-requirements-ed01-sm845-service-guide-annex-en.pdf	Yes <input type="checkbox"/> No <input type="checkbox"/>
Unit can only be installed by a qualified and certified technician, special tools are required to do a successful installation and post installation procedure. No patient images can be taken if the post installation procedure has not been completed successfully ,	
DSE Name :	Carestream representative name (DSM):
DSE mobile #:	Carestream representative mobile #:
Date:	Date:
Final comment : please type here any usefull information	